

VT220WDESMD

Waveguide Electromechanical Switch

Features:

- Full Waveguide Band Coverage
- DPDT, Optional SPDT Configuration
- Equipped with Position Indicator

Applications:

- Transmit-Receive system
- Electronic Countermeasures System
- Commercial Ground Stations



Electrical Specifications

| Parameter | Minimum | Typical | Maximum | Units |
|----------------|---------|---------|---------|-------|
| Frequency | 18 | | 26.5 | GHz |
| VSWR | | | 1.15 | |
| Insertion Loss | | | 0.2 | dB |
| Isolation | 55 | | | dB |
| Switch Time | | | 80 | ms |
| Current | | | 1 | A |
| Voltage | 22 | 24 | 32 | V |

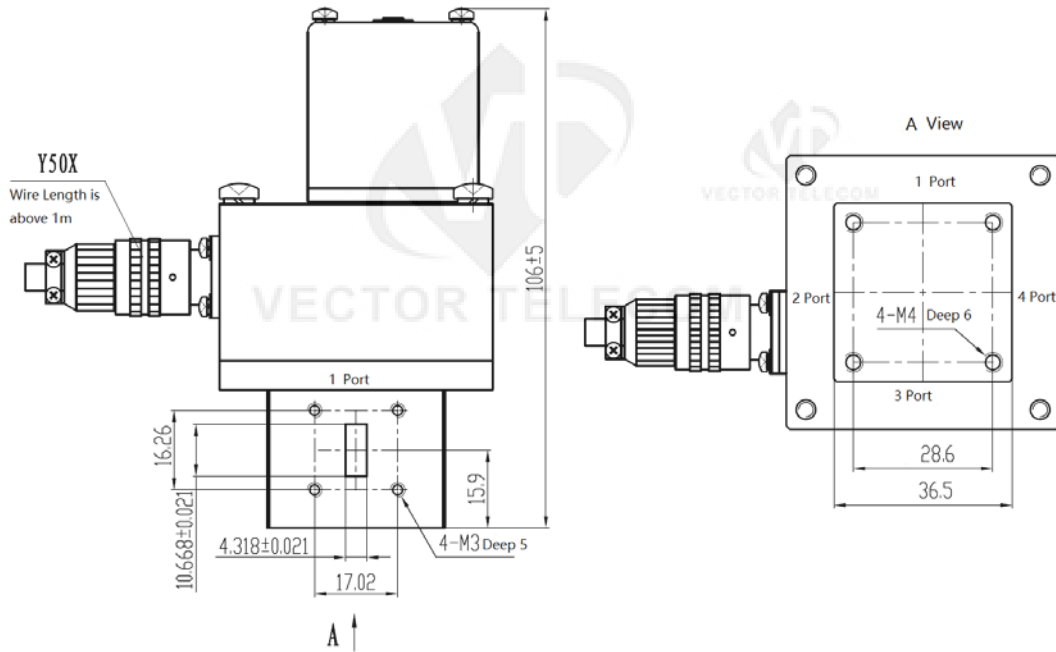
Mechanical Specifications

| Parameter | Specifications |
|-----------------------|-------------------------------|
| Waveguide Type | WR42 |
| Flange Type | UBR220 |
| Material | Aluminum |
| Inside Finish | Natural conductive oxidation |
| Outside Finish | Black paint with control part |
| Weight | 0.5 kg |
| Operating Temperature | -40°C~+70°C |
| Storage Temperature | -55°~ +85°C |
| Relative Humidity | 80% |
| Switch Lifetime | 100,000 times |

VT220WDESMD

Waveguide Electromechanical Switch

Outline Drawings (Unless otherwise specified, all dimensions are in millimeters)



Wiring Definition

| Pin Definition | Function | Note |
|----------------|-----------|--|
| 1 | VCC1(24V) | VCC1(POS1) |
| 2 | GND | |
| 3 | VCC2(24V) | VCC2(POS2) |
| 4 | J1 | POS1: J1 and J2 conducting POS1: J1 and J2 conducting |
| 5 | J2 | |
| 6 | J3 | |

Waveguide Electromechanical Switch

Revision History

| Date | Revision | Changes |
|---------------|----------|---------------|
| 08-April-2021 | 1 | First release |

Information furnished is believed to be accurate and reliable. However, Vector Telecom assumes no responsibility for the consequences of use of such information nor for any infringement of patents or other rights of third parties which may result from its use. No license is granted by implication or otherwise under any patent or patent rights of Vector Telecom. Specifications mentioned in this publication are subject to change without notice. This publication supersedes and replaces all information previously supplied. Vector Telecom products are not authorized for use as critical components in life support devices or systems without express written approval of Vector Telecom.

The Vector Telecom logo is a registered trademark of Vector Telecom Pty Ltd.

© 2021 Vector Telecom Pty Ltd - All rights reserved

Email: sales@vectortele.com

www.vectortele.com